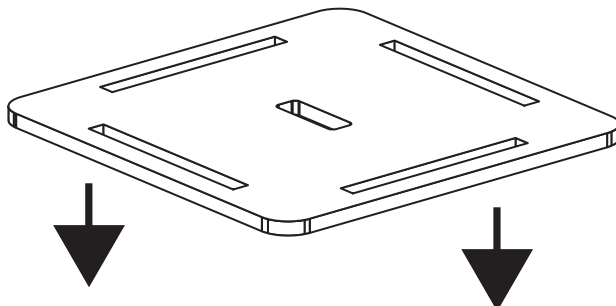
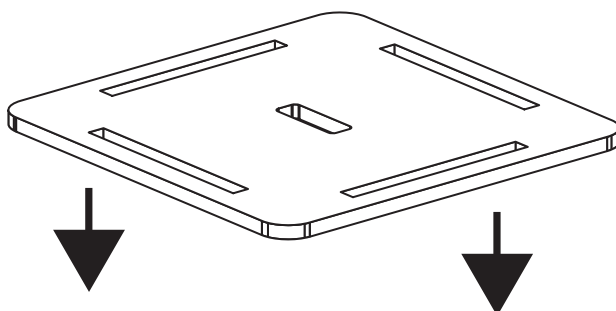


Cubo Trio

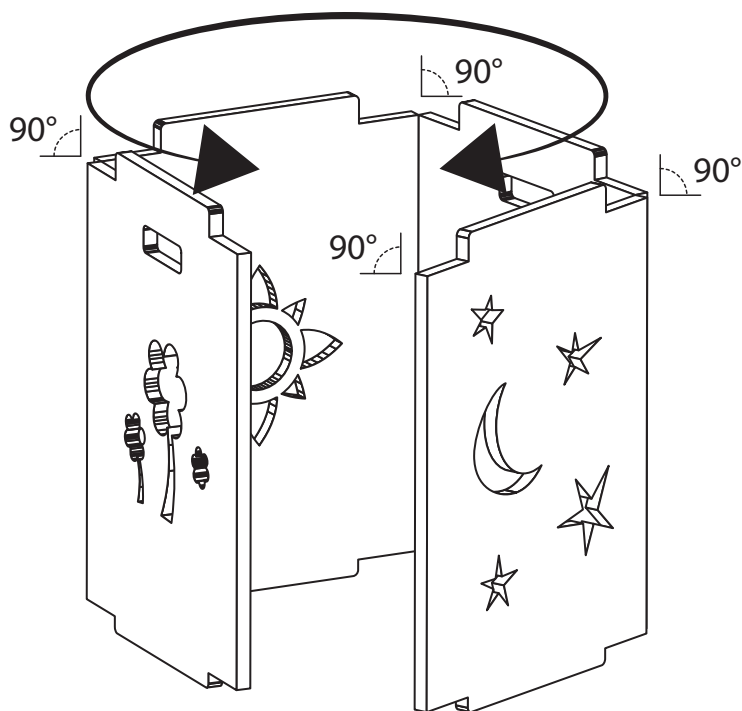
④



③



①



②

